



a trademark of
Gebrüder Thonet Vienna GmbH
Prinz Eugen Straße 42, 1040 Wien (AT)
www.gebruederthonetvienna.com

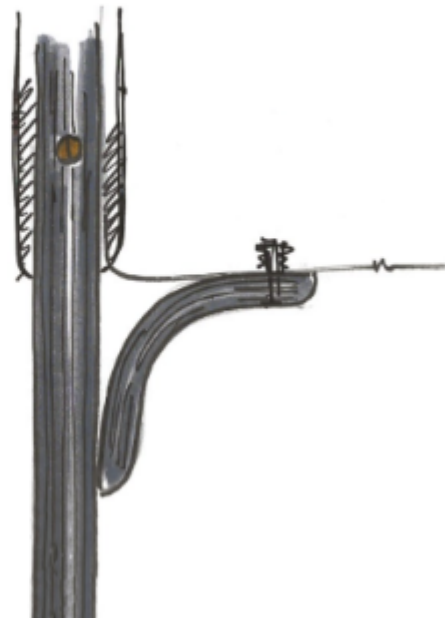
NEW 2020 PROJECT

Gebrüder Thonet Vienna GmbH (GTV) presents
the JANNIS upholstered collection by Dainelli Studio



In their first collaboration with Gebrüder Thonet Vienna, **Dainelli Studio**, owned by the creative duo of Leonardo and Marzia Dainelli, designs **JANNIS** a collection of **upholstered furniture** that are eminently suitable for contract use.

Two and three-seater sofa and lounge chair, with judicious dimensions and slim proportions. **JANNIS** is defined by a contemporary rigour that draws inspiration from the past, revealing its personality in the details: the wooden structure, lightweight to the eye but solid, holds the single seat cushion and the backrest, and is characterized by the metal feet with a brass finish. The frame and legs are connected by **steam-curved beech wood arches**, an element of continuity with the heritage of **Gebrüder Thonet Vienna**.





Jannis Sofa

Three-seater sofa



Jannis Sofa

Two-seater sofa





Jannis Lounge

Lounge chair



Until next week with a the last new project. Stay tuned!



JANNIS

TECHNISCHES BLATT
SCHEMA TECNICA
DATA SHEET
FICHE TECHNIQUE

JANNIS

DESIGN DAINELLI STUDIO, 2020



Kollektion von gepolsterten Produkte mit Buchholzgestell aus Buche und Dekoelementen aus Messing. Vollständig abnehmbarer Bezug. Sitzpolsterung aus PU-Schaumstoff mit unterschiedlichen Härtegraden, Bezug aus Acrylfaser. Kissen aus Polyurethanschaum mit Formgedächtnis hergestellt.

Collezione di imbottiti con struttura in faggio curvato ed elementi decorativi in ottone, completamente sfoderabile. Seduta imbottita in poliuretano espanso a densità differenziata, rivestito con falde di fibre acriliche. Cuscini in poliuretano espanso memory foam.

Collection of upholstered items with bent beech-wood frame and brass decorative elements. Fully removable cover. Upholstered seat with different density polyurethane foam filling, covered with acrylic fiber layers. Cushions made of polyurethane memory foam.

Collection de produits rembourrés avec structure en hêtre cintré et éléments décoratifs en laiton. Complètement déhoussable. Assise rembourrée en mousse de polyurethane à densité différenciée, recouvert de bandes de fibres acryliques. Coussins en mousse polyuréthane à mémoire de forme.



PLJANNTES

Dimensions mm.

height 820 | width 770 | depth 800



DBJANNTES

Dimensions mm.

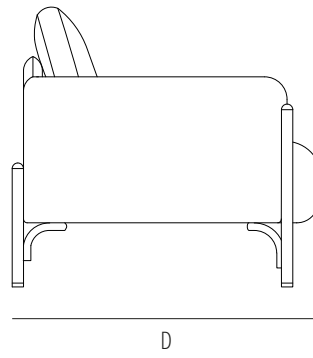
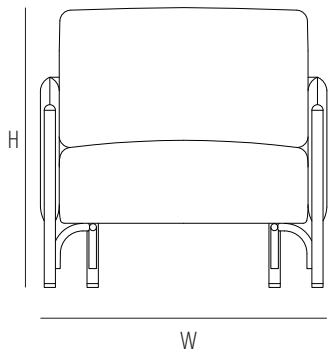
height 820 | width 1450 | depth 800



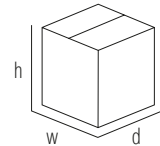
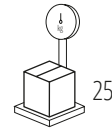
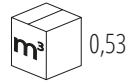
DLJANNTES

Dimensions mm.

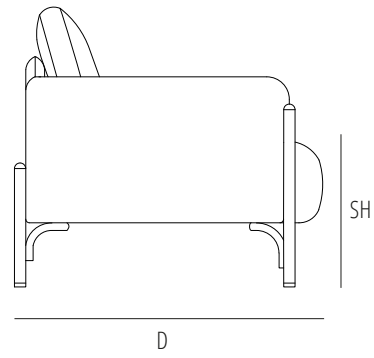
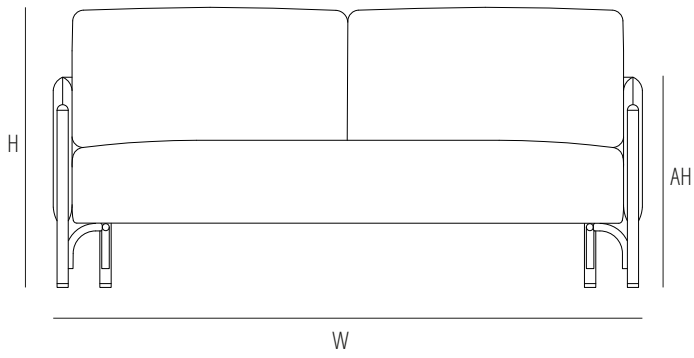
height 820 | width 2080 | depth 800



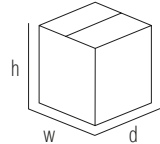
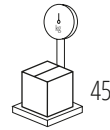
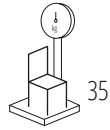
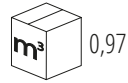
	H	W	D	SH	AH	
mm	820	770	800	420	610	1 Pz/Pc: 4,5 mt. Linear x 140 cm h/width
inch	32,2	30,3	31,4	16,5	24,0	



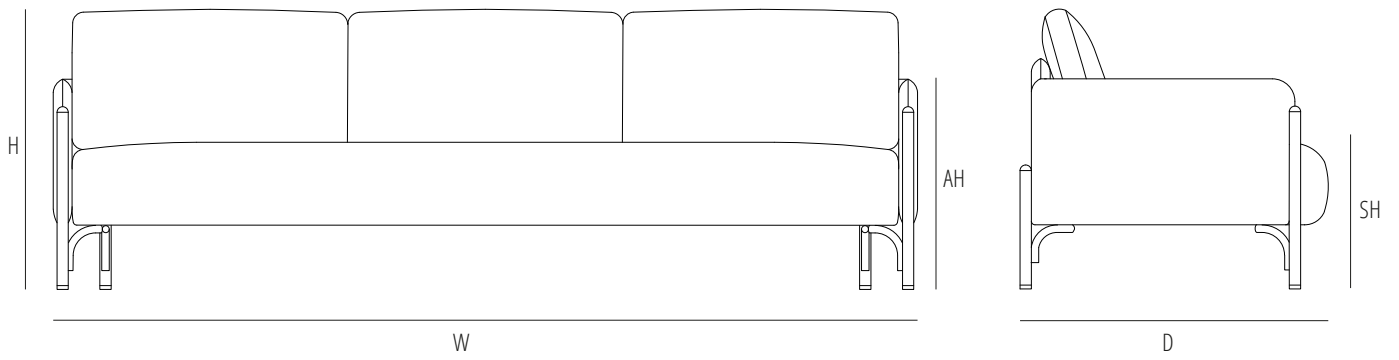
mm - inch
 h 720 - 28,3
 w 820 - 32,2
 d 900 - 35,4



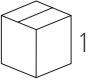

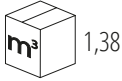
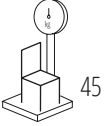
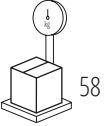
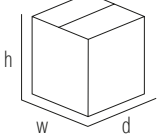
	H	W	D	SH	AH	
mm	820	1450	800	420	610	1 Pz/Pc: 6,9 mt. Linear x 140 cm h/width
inch	32,2	57,0	31,4	16,5	24,0	



mm - inch
 h 720 - 28,3
 w 1500 - 59,0
 d 900 - 35,4



	H	W	D	SH	AH	
mm	820	2080	800	420	610	1 Pz/Pc: 8,9 mt. Linear x 140 cm h/width
inch	32,2	81,8	31,4	16,5	24,0	

 1	 max. 1	 1,38	 45	 58	 <p>mm - inch h 720 - 28,3 w 2130 - 83,8 d 900 - 35,4</p>
--	---	---	---	--	--

Verfuegbare Ausfuehrungen
Finiture disponibili
Available finishes
Finitions disponibles

CLASSIC LACQUER / LACCATO CLASSICO



C01 - RAL 9005 BLACK

Gebrüder Thonet Vienna GmbH
Prinz Eugen Straße 42
1040 Wien (AT)

www.gebruederthonetvienna.com

Offices of the trademarks' licensee
Production Furniture International S.p.A.
Via Foggia, 23/H
10152 Torino (TO) Italy

Phone: 0039 011 0133330 - info@gebruederthonetvienna.com